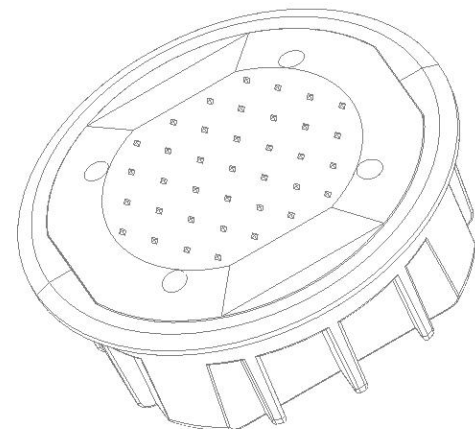




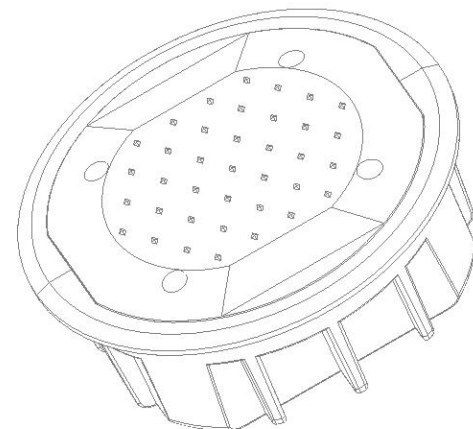
BL-003CA

EVERY LITTLE LIGHT FOR SAFETY



Contents

Contents.....	2
1 Scope.....	3
2 Products Description.....	3
2.1 Features.....	3
2.2 Mechanical.....	3
2.3 Electrical.....	3
2.4 Optical.....	3
3 Structure Diagram.....	4
4 Installation.....	4
4.1 Applicable Place.....	4
4.2 Installation Method.....	4
4.3 Installation Considerations.....	5
5 After-sales Services.....	5
5.1 Warranty.....	5



1 Scope

This specification covers the detailed Specification and Performance for the following products listed as below:

2 Products Description

2.1 Features

- 2.1.1 Low maintenance.
- 2.1.2 Variable distance cables.
- 2.1.3 Outstanding visibility during the day and at night.
- 2.1.4 Robust construction, suitable for harsh conditions.
- 2.1.5 Operation Mode:Flashing,Steady,Synchronous flash/Sequential flash (optional).
- 2.1.6 Photocontrol, automatic on at dusk ,off at dawn, save energy, friendly to the environment(Customization).
- 2.1.7 Special hard anodization coating available - 3 times durable than normal coating.(optional).
- 2.1.8 Top cover protected by polycarbonate window.
- 2.1.9 Water proof:IP68
- 2.1.10 Possibility of integration with enforcement systems.

2.2 Mechanical

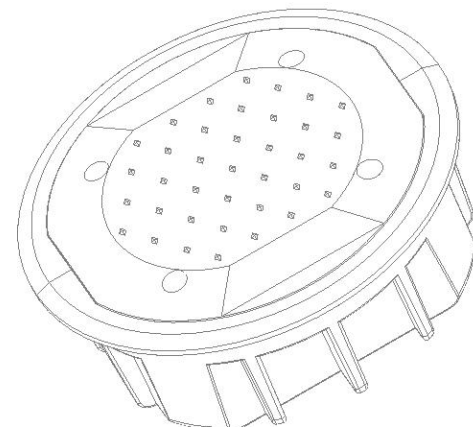
- 2.2.1 Material: Aluminum
- 2.2.2 Top Protective Cover Material: Polycarbonate
- 2.2.3 Mechanical Resistance: ≥30 Tons Truck
- 2.2.4 Diameter: Ø140mm
- 2.2.5 Height: 52mm
- 2.2.6 Product Weight: 875g
- 2.2.7 Waterproof Level: IP68
- 2.2.8 Operation Mode: Flashing,Steady,Synchronous flash/Sequential flash(Customization).
- 2.2.9 Work Temperature: -20°C to+70°C

2.3 Electrical

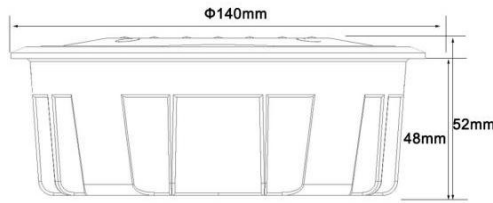
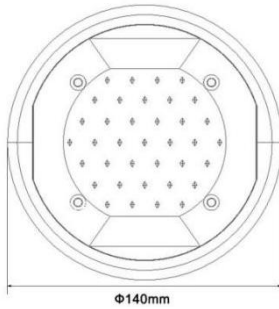
- 2.3.1 Power Supply: DC12V or DC24V
- 2.3.2 Cable Length: 30cm or custom length

2.4 Optical

- 2.4.1 LED Qty: 6 LEDs
- 2.4.2 LED Type: Φ10mm
- 2.4.3 Color Optional: Red,blue,yellow,white,green
- 2.4.4 Visual Distance: 500M



3 Structure Diagram



4 Installation

4.1 Applicable Place

- Greenways
- Pedestrian walkway
- Delineation of roads
- Motorways
- Illumination of public spaces (bicycle paths, pedestrian zones, etc ...)
- Decorative illumination

4.2 Installation Method

4.2.1 Isolate all power before commencing installation.

4.2.2 The road surface should be level and even ,any repair to the surface should be conducted prior to installation.

4.2.3 Cut a channel between holes approximately 15mm wide to a depth of 60mm,ensure the channel is cleaned of all debris.

4.2.4 Boring a specific size hole at the placement location of the road stud that should be $\varnothing 126\text{mm} \times 60\text{mm}$.

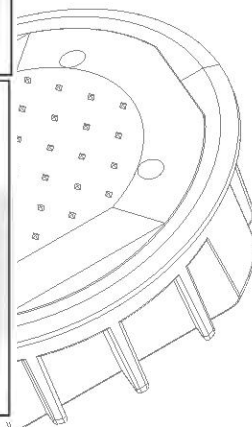
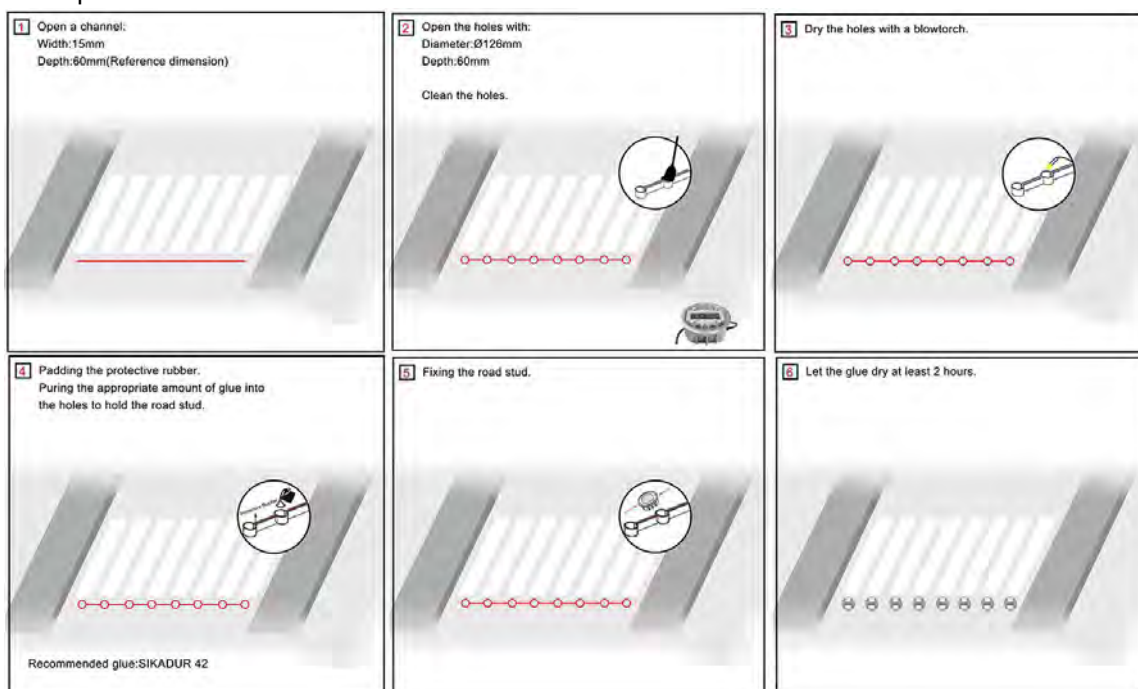
4.2.5 Use a blowtorch to dry any dampness from the holes,failure to do so may result in the adhesive glue not bonding correctly.

4.2.6 Insert the protective rubber padding into the channel once it has been dried and had time to cool down.

4.2.7 Pour the adhesive glue into the hole and locate the road stud so that its lighted side is facing towards to drivers.

4.2.8 Inspect studs 2 hours after installation and re-adjust if there has any movement.

4.2.9 Inspect after 4 hours and check that all studs are firmly located and show no signs of movement, if all have set correctly re-instate power.



4.3 Installation Considerations

4.3.1 Installation depth 60mm

4.3.2 Other Ensure any water is removed prior to commencing maintenance.

Use the epoxy supplied for best result.

5 After-sales Services

5.1 Warranty 1 year

