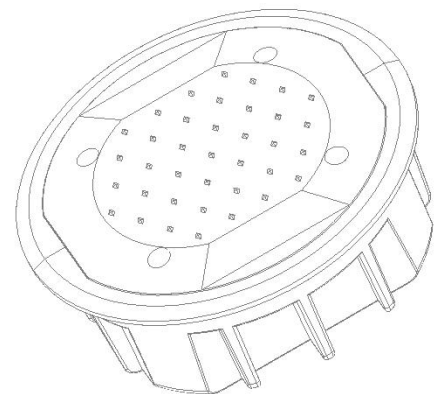




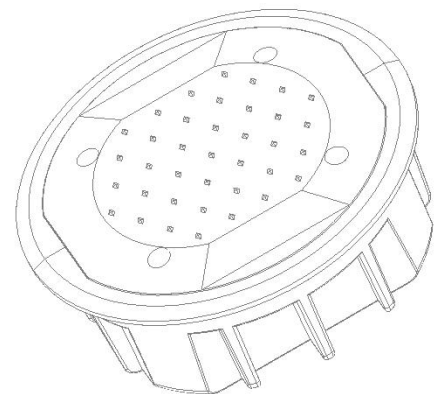
# BL-003SU

**EVERY LITTLE LIGHT FOR SAFETY**



## Contents

Contents.....	2
1 Scope.....	3
2 Products Description.....	3
2.1 Features.....	3
2.2 Mechanical.....	3
2.3 Electrical.....	3
2.4 Optical.....	3
3 Structure Diagram.....	4
4 Installation.....	4
4.1 Applicable Place.....	4
4.2 Installation Method.....	4
4.3 Installation Considerations.....	5
5.1 Warranty.....	5
5.2 Safe Storage Remind.....	5



## 1 Scope

This specification covers the detailed Specification and Performance for the following products listed as below:

## 2 Products Description

### 2.1 Features

- 2.1.1 Low maintenance.
- 2.1.2 Robust construction, suitable for harsh conditions.
- 2.1.3 Outstanding visibility during the day and at night.
- 2.1.4 Photocontrol, automatic on at dusk ,off at dawn, save energy, friendly to the environment.
- 2.1.5 External magnet switch(optional):Activate or deactivate the road stud with this optional feature without having to access internal components.
- 2.1.6 Operation Mode:Flashing,Steady,Synchronous flash/Sequential flash(optional).
- 2.1.7 Special hard anodization coating available - 3 times durable than normal coating.(optional).
- 2.1.8 Top cover protected by polycarbonate window.
- 2.1.9 Water proof:IP68

### 2.2 Mechanical

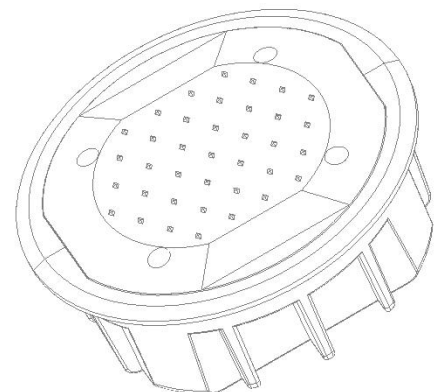
- 2.2.1 Material: Aluminum
- 2.2.2 Top Protective Cover Material: Polycarbonate
- 2.2.3 Mechanical Resistance: ≥30 Tons Truck
- 2.2.4 Diameter: Ø140mm
- 2.2.5 Height: 52mm
- 2.2.6 Product Weight: 875g
- 2.2.7 Waterproof Level: IP68
- 2.2.8 Operation Mode: Flashing,Steady,Synchronous flash/Sequential flash(Customization).
- 2.2.9 Work Temperature: -20°C to +70°C

### 2.3 Electrical

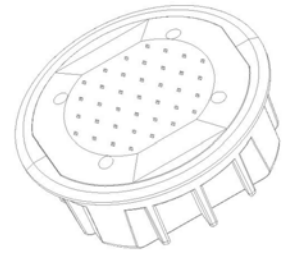
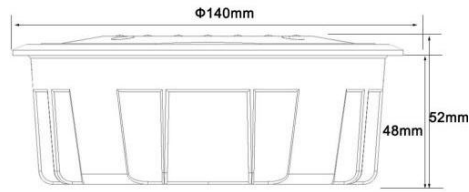
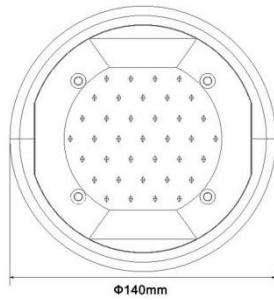
- 2.3.1 Power Supply: Solar Module
- 2.3.2 Current Consumption: 110mA
- 2.3.3 Solar Module Type: 3V 130mA
- 2.3.4 Battery: 1.2V 2000mAh NI-MH battery
- 2.3.5 Lighting Time: 100H after fully charged in flashing mode

### 2.4 Optical

- 2.4.1 LED Qty: 6 LEDs
- 2.4.2 LED Type: Φ10mm
- 2.4.3 Color Optional: Red,blue,yellow,white,green
- 2.4.4 Visual Distance: 500M



## 3 Structure Diagram



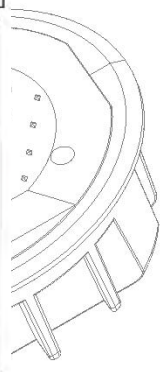
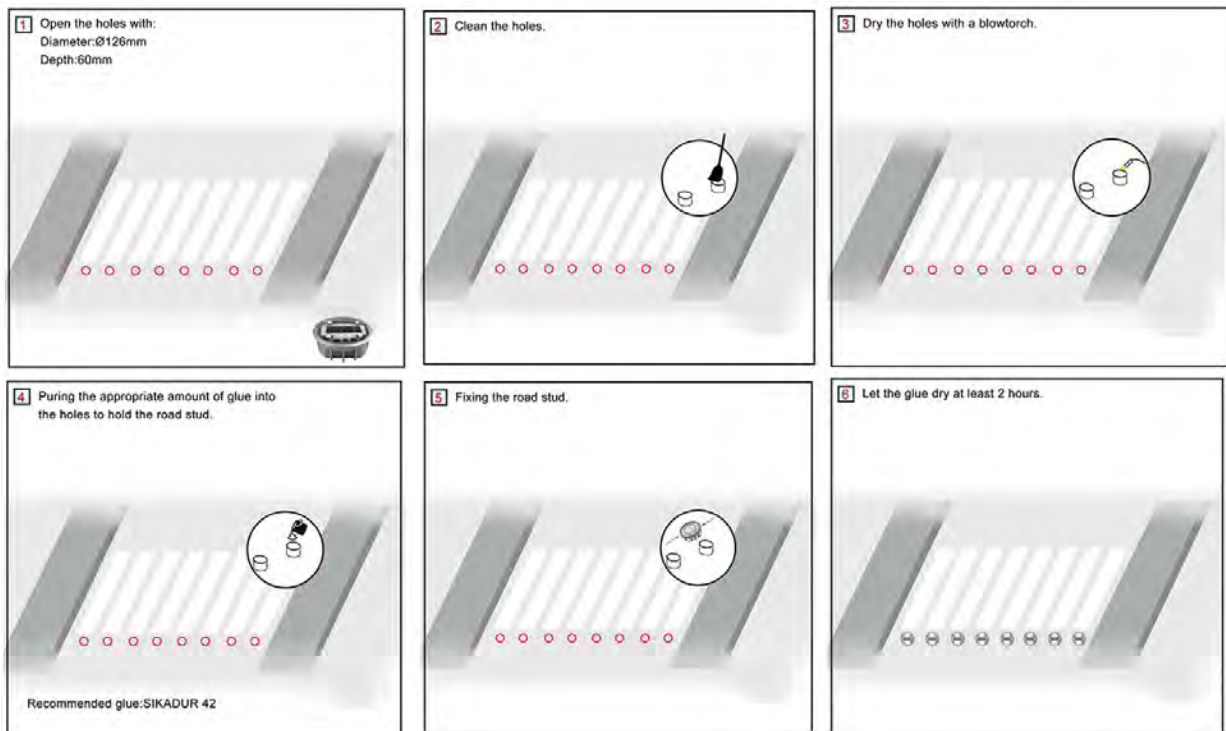
## 4 Installation

### 4.1 Applicable Place

- Greenways
- Pedestrian walkway
- Delineation of roads
- Motorways
- Illumination of public spaces (bicycle paths, pedestrian zones, etc ...)
- Decorative illumination

### 4.2 Installation Method

- 4.2.1 Please place professional isolation facilities before installation for ensuring the safety of workers.
- 4.2.2 The road surface should be level and even ,any repair to the surface should be conducted prior to installation.
- 4.2.3 The road stud requires a bore hole size of  $\text{Ø}126\text{mm} \times 60\text{mm}$ .
- 4.2.4 Ensure the hole is cleaned of all debris.
- 4.2.5 Use a blowtorch to dry any dampness from the holes, failure to do so may result in the adhesive glue not bonding correctly.
- 4.2.6 Pour the adhesive glue into the hole and locate the road stud so that its lighted side is facing towards to drivers.
- 4.2.7 Inspect studs 2 hours after installation and re-adjust if there has any movement.
- 4.2.8 Inspect after 4 hours and check that all studs are firmly located and show no signs of movement.



## 4.3 Installation Considerations

4.3.1 Installation Depth                      60mm

4.3.2 Other                                      Ensure any water is removed prior to commencing maintenance.  
Use the epoxy supplied for best result.

## 5 After-sales Services

5.1 Warranty                                    1 year

5.2 Safe Storage Remind                    Please charge it once for 3 months.

